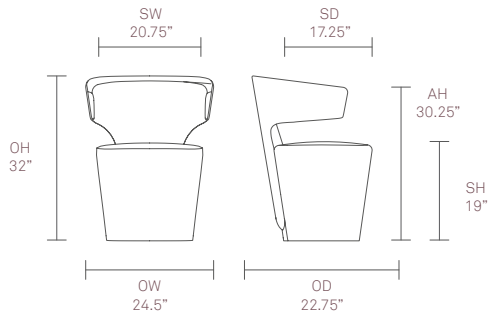


Dimensions

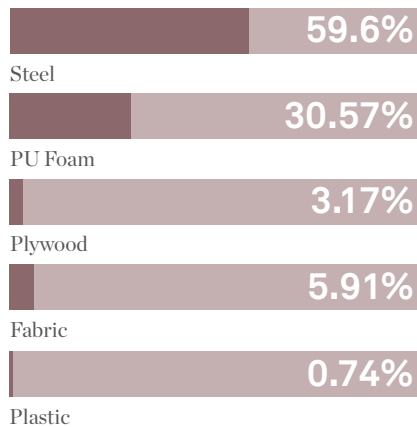
BN1



Environmental Performance

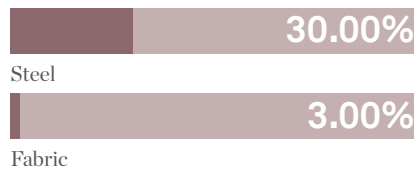
Material Content

Components are constructed of the following



Recycled Content

Contains up to 33% of Recycled Material



Recyclability

The range is 100% recyclable

100%