

Casper —CS2A

Casper is a stylish and contemporary café plastic monoshell stool designed for all manner of hospitality environments in both corporate and leisure markets. An upholstered seat comes as standard, complemented by a range of modern shell colors.



Design by Allermuir

Standard Features

- Plastic shell available in a selection of colors
- Plastic underseat stack pan
- 4 leg tubular steel frame finished in Polished Chrome
- Complementary colored armpads
- Plastic self leveling glides

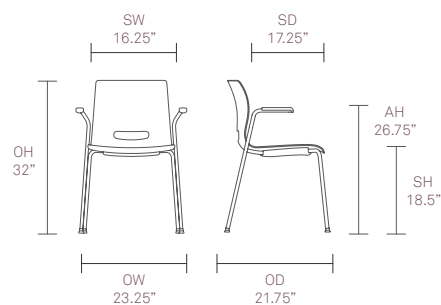
Optional Features

- Plastic self leveling glides with felt
- Plastic shell with complementary tubular steel powder coat frame

Performance Standards

- ANSI/BIFMA X5.1-2002
- SCS-EC10.3-2014

Dimensions



For finish options please refer to website