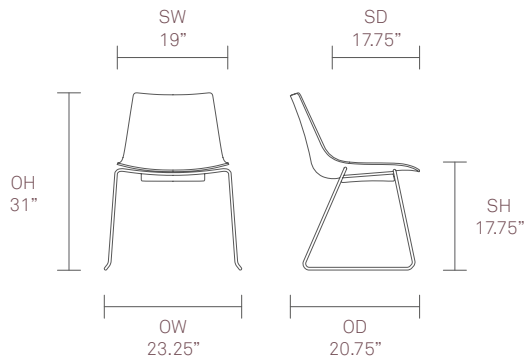
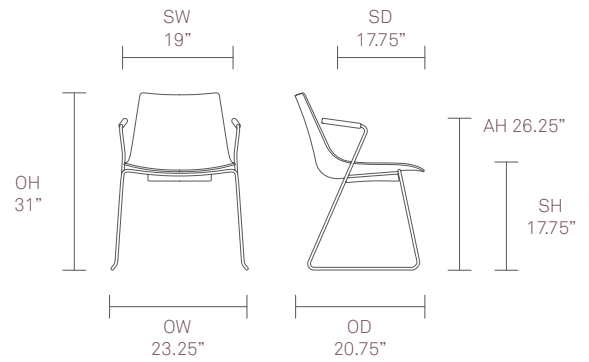


## Dimensions

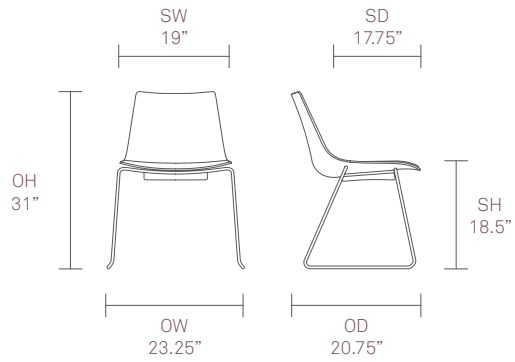
A800



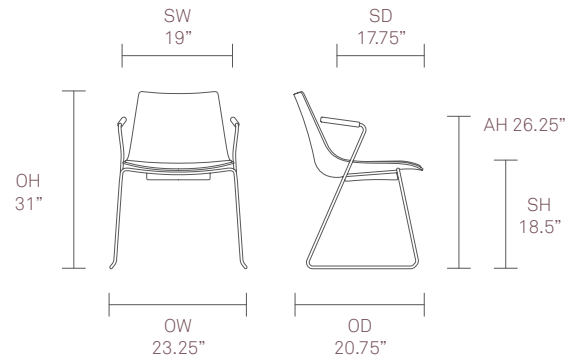
A801



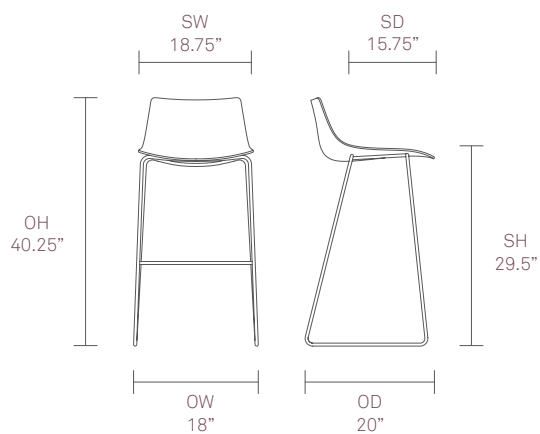
A802



A803



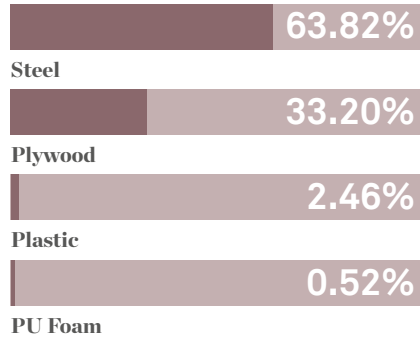
A804



## Environmental Performance

### Material Content

Components are constructed of the following



### Recycled Content

Contains up to 32% of Recycled Material



### Recyclability

The range is 100% recyclable

# 100%