

Grainger Dining – GRD03

Designed as part of the Grainger family, the Dining series maintains a classic styling to create a generously proportioned side and armchair that offer great comfort. The deliberately simple form which sits on tapered oak legs can be upholstered in a range of fabrics to achieve a variety of styles.



Design by Allermuir

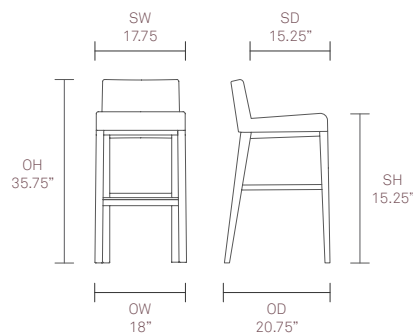
Standard Features

- Traditional carcass construction with a tensioned back support
- Solid Oak frame with a clear finish
- Stainless steel footrail cap
- Plastic glides

Optional Features

- Two tone upholstery
- Solid Oak frame can be stained or colorwashed
- Plastic glides with felt

Dimensions



For finish options please refer to website