

Haven –HAM200

Haven can provide excellent personal privacy, a haven, within a busy world. A place for either quiet contemplation or communication and collaboration amongst an effective team.



Design by Mark Gabbertas

Standard Features

- Molded foam construction
- Webbed seat support
- Aluminum frame finished in Black powder coat
- Plastic glides

Optional Features

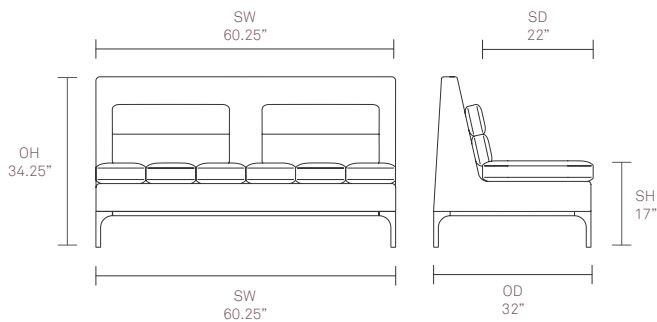
- Two-tone upholstery
- Linking device

Performance Standards

ANSI/BIFMA5.4X2012



Dimensions



For finish options please refer to website