

## Jaicer — JCR5

When designing Jaicer, we set out to create a simply beautiful stool that was constructed entirely from wood. Jaicer has been created to work across a multitude of environments; be it for ad hoc use in the workplace, or as a café or bar stool in a modern corporate or hospitality environment.



Design by Allermuir

---

### Standard Features

- Upholstered seat pad
- Beech veneer seat and back with a clear finish
- Clear finish Solid Beech legs with formed Beech plywood rails

### Optional Features

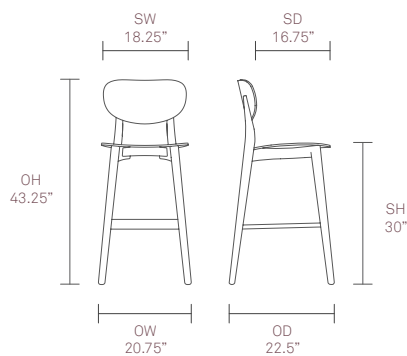
- Chair can be stained or color washed

### Performance Standards

- ANSI/BIFMA X5.1-2011

---

## Dimensions



For finish options please refer to website