

JoJo – A591

JoJo is an elegant and curvaceous stool created from 3D veneered plywood or PU to provide one of the most comfortable shapes. JoJo's two frame styles complement the seat design in the form of high and low four leg frames, or a height adjustable frame with a swivelling center pedestal.



Design by Johannes Foersom & Peter Hiort-Lorenzen

Standard Features

- Beech (3D ply) shell with a clear finish
- Tubular steel frame finished in Silver M04
- Powder coat
- Plastic glides

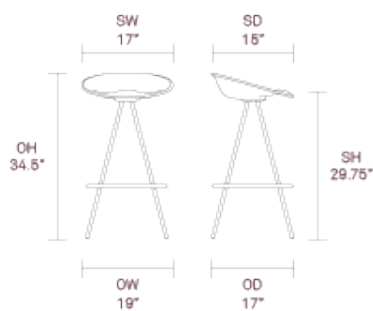
Optional Features

- Beech (3D ply) shell can be stained or colorwashed
- Shell available in a selection of wood finishes
- Tubular steel frame available in Polished Chrome
- Counter height stool option available

Performance Standards

ANSI/BIFMA X5.1-2011 type 3

Dimensions



For finish options please refer to website