

JoJo – A595

JoJo is an elegant and curvaceous stool created from 3D veneered plywood or PU to provide one of the most comfortable shapes. JoJo's two frame styles complement the seat design in the form of high and low four leg frames, or a height adjustable frame with a swivelling center pedestal.



Design by Johannes Foersom & Peter Hiort-Lorenzen

Standard Features

Rigid PU shell available in a selection of colors
Height adjustable steel pedestal base finished in Silver M04 powder coat
Plastic glides

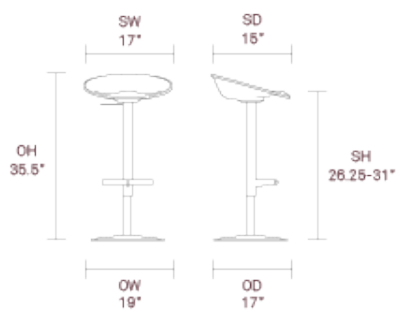
Optional Features

Rigid PU shell available in two tone
Height adjustable steel pedestal base available in Polished Chrome

Performance Standards

ANSI/BIFMA X5.1-2011 type 3

Dimensions



For finish options please refer to website