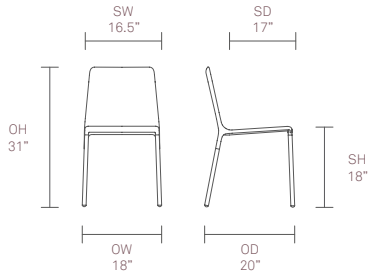
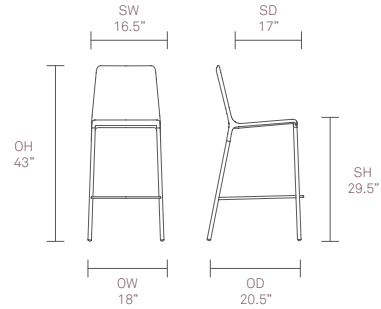


Dimensions

A380



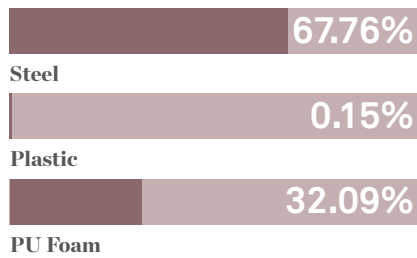
A832



Environmental Performance

Material Content

Components are constructed of the following



Recycled Content

Contains up to 34.00% of Recycled Material



Recyclability

The range is 100% recyclable

100%