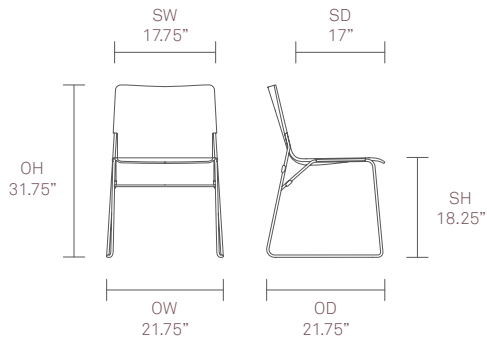


Dimensions

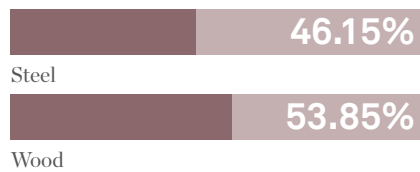
NU01



Environmental Performance

Material Content

Components are constructed of the following



Recycled Content

Contains up to 23% of Recycled Material



Recyclability

The range is 100% recyclable

100%