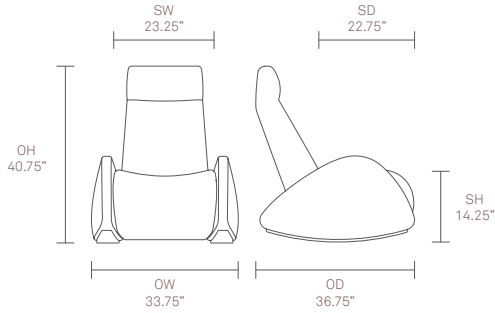
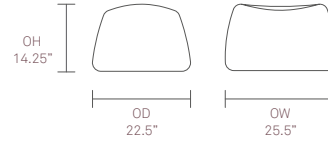


## Dimensions

OTT01



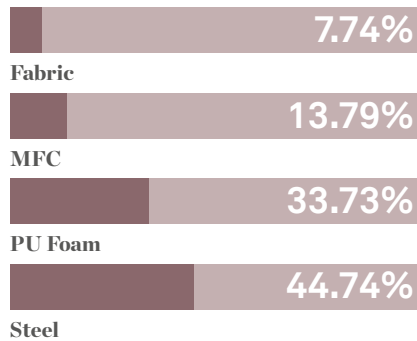
OTTFS



## Environmental Performance

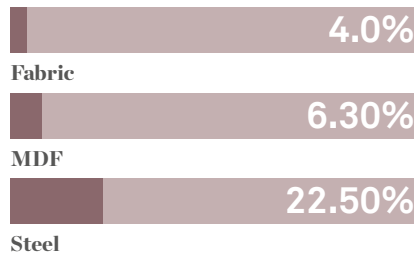
### Material Content

Components are constructed of the following



### Recycled Content

Contains up to 32.80% of Recycled Material



### Recyclability

The range is 100% recyclable

100%