

Phoulds — PHIU

Elegance, poise and comfort were the words that guided the development of Phoulds. Meticulous joining of two pressed plywood shells create the chair's structure which is lined with a distinctive six panel upholstery style. Phoulds offers the diversity of both high and mid back shells and two distinctive support frames. In addition the outer shell has the option of being fully upholstered.



Design by Allermuir

Standard Features

- 6 panel upholstery detail
- 4 leg tubular steel frame finished in Polished chrome
- Self leveling glides
- Plastic underseat shroud

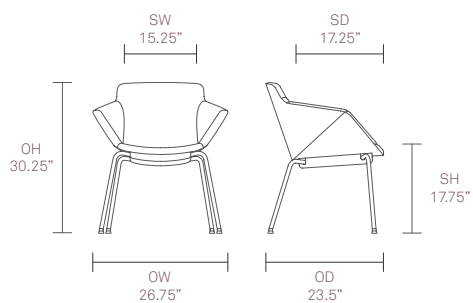
Optional Features

- 4 leg tubular steel frame available in a Black powder coat
- Self leveling glides with felt
- Two tone upholstery

Performance Standards

ANSI/BIFMA X5.1:2011

Dimensions



For finish options please refer to website