

## Phoulds — PH2

Elegance, poise and comfort were the words that guided the development of Phoulds. Meticulous joining of two pressed plywood shells create the chair's structure which is lined with a distinctive six panel upholstery style. Phoulds offers the diversity of both high and mid back shells and two distinctive support frames. In addition the outer shell has the option of being fully upholstered.



Design by Allermuir

### Standard Features

- 6 panel upholstery detail
- Beech shell with a clear finish
- 4 star Polished Aluminum swivel base
- Felt glides

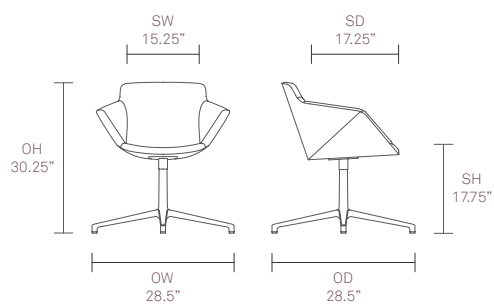
### Optional Features

- Two tone upholstery
- Beech shell can be stained or color washed
- Walnut veneer shell with a clear finish

### Performance Standards

ANSI/BIFMA X5.1:2011

## Dimensions



For finish options please refer to website