

Phoulds — PH2U

Elegance, poise and comfort were the words that guided the development of Phoulds. Meticulous joining of two pressed plywood shells create the chair's structure which is lined with a distinctive six panel upholstery style. Phoulds offers the diversity of both high and mid back shells and two distinctive support frames. In addition the outer shell has the option of being fully upholstered.



Design by Allermuir

Standard Features

6 panel upholstery detail
4 star Polished Aluminum swivel base
Felt glides

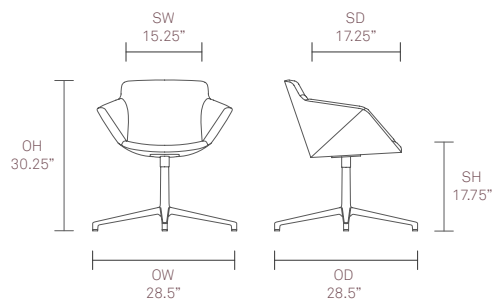
Optional Features

Two tone upholstery

Performance Standards

ANSI/BIFMA X5.1:2011

Dimensions



For finish options please refer to website