

Sholes – SHL02

The Sholes multi-purpose chair has been designed to support collaborative working. Its generous proportions and wrap around back provide excellent comfort whichever position you take. The Educational chair option utilizes a molded PU seat and back for enhanced durability in learning environments.



Design by Allermuir

Standard Features

- Fully upholstered seat and back
- Molded foam construction
- Seat height adjustment
- Polished Aluminum yoke and 5 star base
- Plastic glides

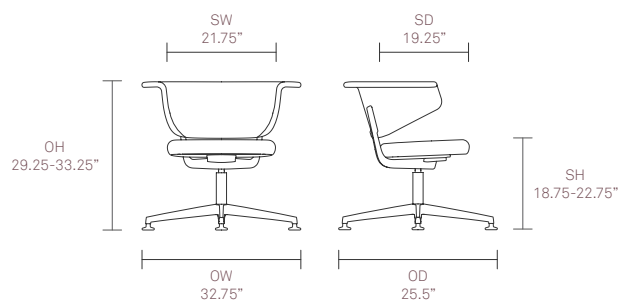
Optional Features

- Two tone upholstery
- Independent seat swivel action
- Swivel writing tablet with optional cupholder
- Bag hook

Performance Standards



Dimensions



For finish options please refer to website