

## Sholes – SHLED03

The Sholes multi-purpose chair has been designed to support collaborative working. Its generous proportions and wrap around back provide excellent comfort whichever position you take. The Educational chair option utilizes a molded PU seat and back for enhanced durability in learning environments.



Design by Allermuir

### Standard Features

- PU seat and back available in a selection of colors
- Seat height adjustment
- Polished Aluminum yoke
- Black nylon 5 star base
- Hard wheel casters

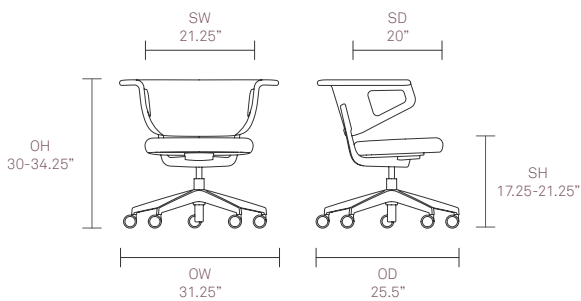
### Optional Features

- Independent seat swivel action
- Swivel writing tablet with optional cupholder
- Bag hook
- Polished Aluminum base
- Soft wheel casters

### Performance Standards



## Dimensions



For finish options please refer to website