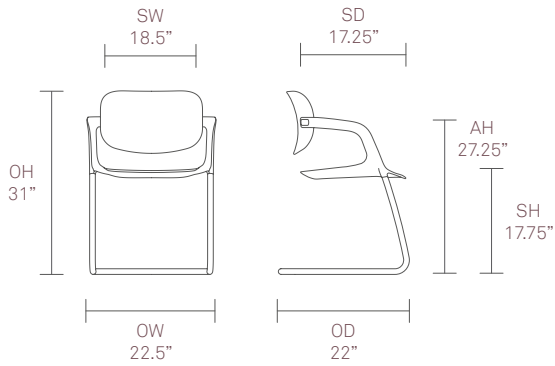
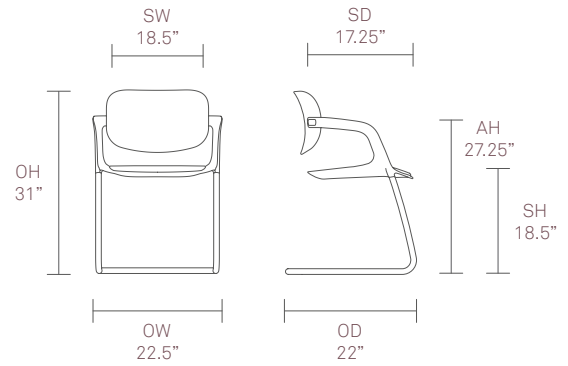


Dimensions

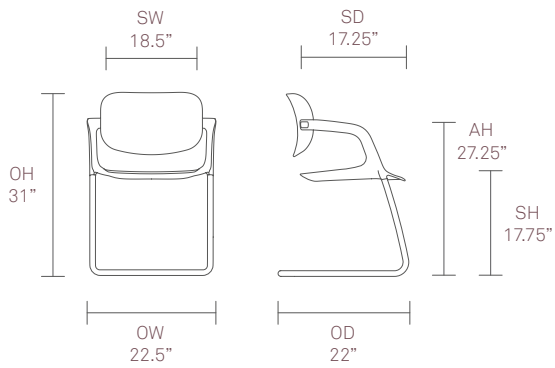
A780



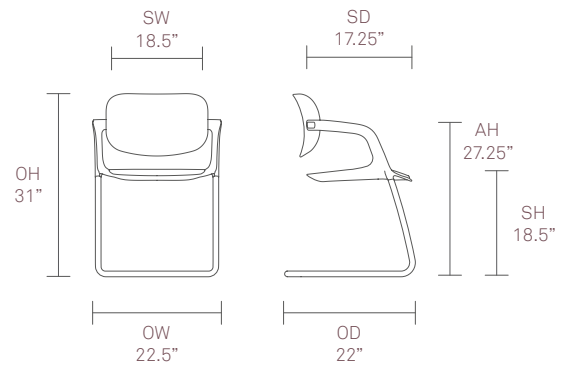
A781



A783



A784



Environmental Performance

Material Content

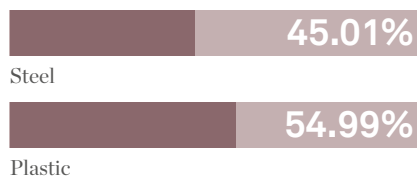
Components are constructed of the following

Recycled Content

Contains up to 22.5% of Recycled Material

Recyclability

The range is 100% recyclable



100%