

Tommo –A530

The contemporary and intelligent design of the Tommo range places it easily in a host of spaces within corporate and hospitality environments. The fully upholstered chair features slender upholstery styling and twin stitch seam detail, complemented by a light and elegant tubular skid base.



Design by Mark Gabbertas

Standard Features

Traditional carcass construction
Tubular steel frame finished in Polished Chrome

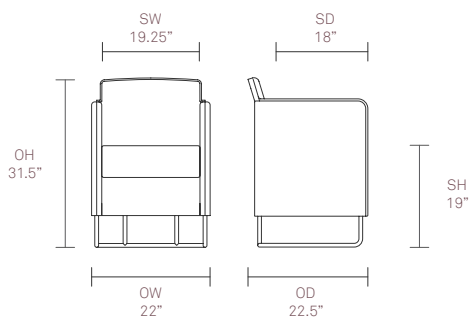
Optional Features

Two-tone upholstery

Performance Standards

ANSI/BIFMA X5.4: 2002
- (lounging seating tests)

Dimensions



For finish options please refer to website