

Tonina —TN3U

This innovative and dynamic chair delivers a contemporary design that has a multitude of possible applications across a variety of marketplaces. Tonina is made from gas injection molded polypropylene with UV stabilizers to deliver a flawless product with fantastic strength, which is suitable for use both indoors and outdoors.



Design by Dondoli+Pocci

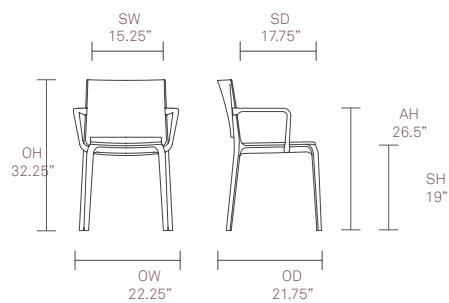
Standard Features

- Upholstered seat pad
- Plastic chair available in a selection of colors
- Plastic stacking buffers
- Plastic glides
- Only available to order in sets of 4 (all chairs will be same color)

Performance Standards

ANSI/BIFMA X5.1-2011

Dimensions



For finish options please refer to website