

## Vee — VE02RH

With Vee, Allermuir has produced a solution that allows individuality and collaboration to happily coexist. With its simplistic, inviting form, complemented by full, sound absorbing upholstery, as well as integrated power and under seat storage, its ideally suited to quick touchdowns and recharges, or longer work meetings.



Design by Q Design

---

### Standard Features

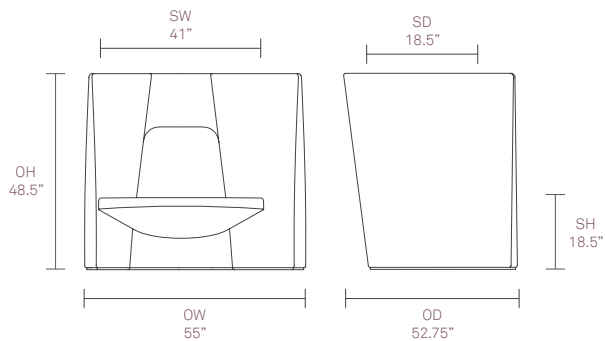
Traditional carcass construction  
Plastic glides

### Optional Features

Two-tone upholstery  
Plastic glides with felt  
Integrated power  
Connection Clamp

---

## Dimensions



For finish options please refer to website