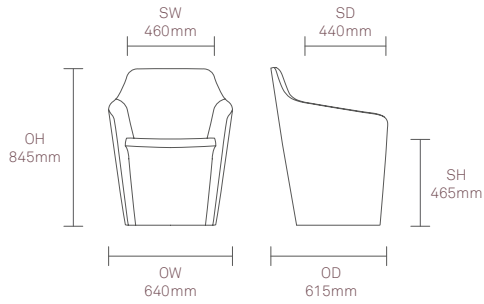


Dimensions

VSI



Environmental Performance

Material Content

Components are constructed of the following

Recycled Content

Contains up to 29.50% of Recycled Material

Recyclability

The range is 100% recyclable

