

Tommo –A534Q

Understated, contemporary and inviting, Tommo by Mark Gabbertas is a versatile range of low lounge pieces. The collection includes a club chair, tub chair and stool and features slender upholstery with a twin stitch detail and simple skid base. A stunning new quilted finish is now available.



Design by Mark Gabbertas

Standard Features

Traditional carcass construction
Soft quilted upholstery
Tubular steel frame finished in Polished Chrome
Plastic glides

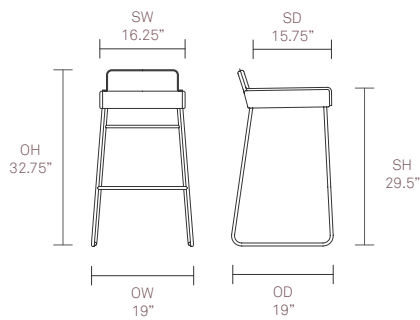
Optional Features

Two tone upholstery
Counter height stool option (seat height 625mm)

Performance Standards

EN13761: 2002
ANSI/BIFMA X5.4: 2005

Dimensions



For finish options please refer to website